

TELESCOPIC



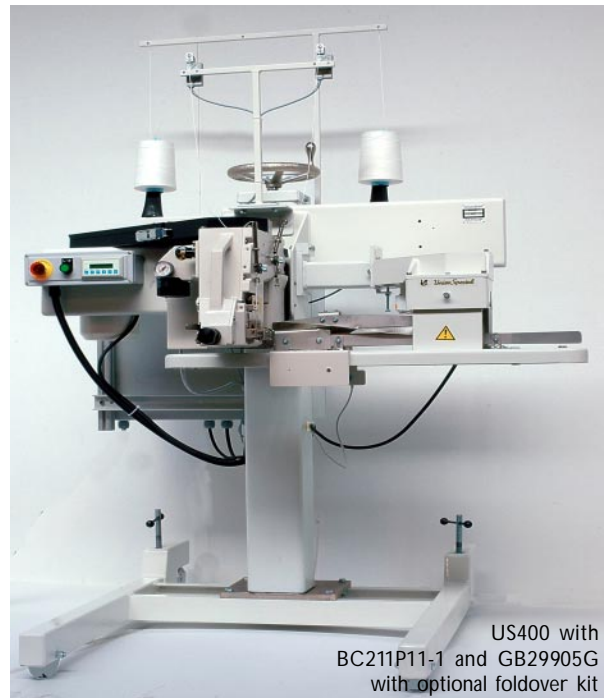
US400V8 with
80800TLZ27 and GBR29910G



US100 with
80800C



US400 with
BC211T11-1 and GB29910G
with optional tape pre-feeder



US400 with
BC211P11-1 and GB29905G
with optional foldover kit

C O L U M N S

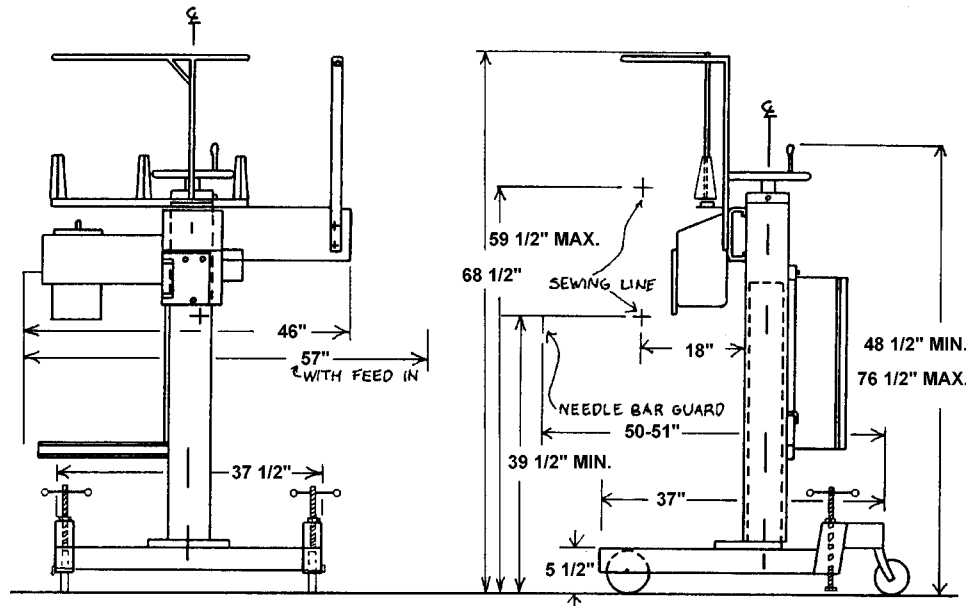
For *Union Special* High Performance Bag Closing Machines

APPLICATION

For mounting and operation of Union Special® heavy duty bag closing sewing machines; for plain, taped, or fold-over sewn closures of bags made from multi-wall paper, woven poly, burlap, jute, and other bag materials.

DIMENSIONS & SPECIFICATIONS

SIZE: As shown, right.



MODELS

MANUAL SYSTEMS

- US100-Basic pedestal with sewing motor, electric controls and movable base, for use with standard sewing heads 80800C & H.
- US100F-Same as US100 except fit with flat belt conveyor.
- US100V-Same as US100 except fit with V-trough conveyor.

AUTOMATIC SYSTEMS

- US400-Pedestal with brake motor and LED controls panel for start/stop and cut functions
For use with high-speed, BC211 Class machines & 80800 Class machines.
- US400F-Same as US400 except fit with flat belt conveyor.
- US400V-Same as US400 except fit with V-trough conveyor.

FEATURES & BENEFITS

- Telescopic column with handwheel height adjustment has square instead of round construction to reduce unwanted twisting of column.
- Rugged construction for long life and trouble free operation.
- Movable base standard with pedestal.
- Swing out sewing machine mounting plate for easy access to machine for threading, inspection and maintenance work.
- Thread stand large enough for up to two 18 to 20 pound cones of thread and one cone of filter cord.
- Available with or without flat belt or V-trough conveyor.
- Available with thread break detectors.



Finest Quality

rev. 01/12

www.unionspecial.com

Union Special LLC

One Union Special Plaza, Huntley, IL 60142, USA

Phone: US: 800-344-9698, Outside US: 847-669-4500

Fax: 847-669-4239, E-mail: bags@unionspecial.com

©2012 Union Special LLC